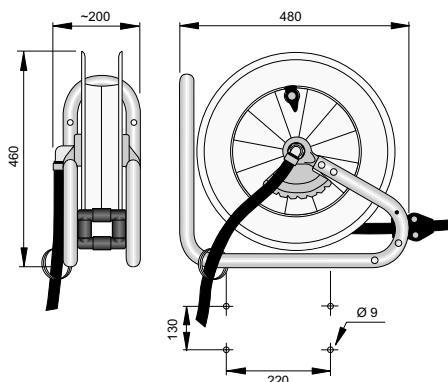


Anti-corrosion reels for damp environments

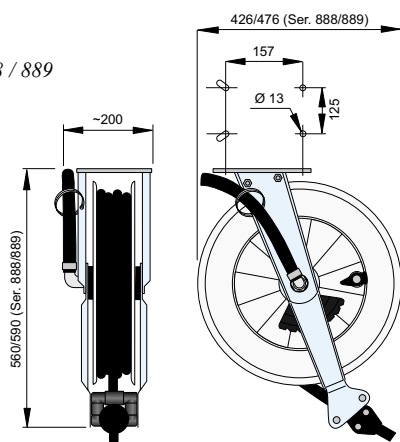
Series 893



Series 893



Series 888 / 889



Series 888 / 889

Nederman Series 893 and 888 / 889

The anti-corrosion hose reels have a stainless steel stand, brass hub and swivel, and drum of composite material.

- Suitable for wash down applications indoors and outdoors.
- All components manufactured in highly corrosion resistant materials.
- Adjustable outlet minimizes friction.

Weight incl. hose: 11 –16 kg

Material recycling: 100 %

Series 893

Use for	Max. working pressure MPa (psi)	Distribution hose		Connection hose*	Hose material	Hose type (see page 17)	Reel with hose Part no.	Reel without hose Part no.
		Int. Ø mm (in)	Length m	Int. Ø mm (in)				
Water – food grade hose	2.0 (290)	12.5 (1/2)	10	12.5 (1/2)	Rubber	E	30804093	30803993
HP water	25 (3625)	10 (3/8)	15	10 (3/8)	Rubber	G	30804293	30804193

Series 888 / 889

Use for	Max. working pressure MPa (psi)	Distribution hose		Connection hose*	Hose material	Hose type (see page 17)	Reel with hose Part no.	Reel without hose Part no.
		Int. Ø mm (in)	Length m	Int. Ø mm (in)				
Water – food grade hose	2.0 (290)	12.5 (1/2)	10	12.5 (1/2)	Rubber	E	30803288	30803188
			13+2				30802089	30801989
HP water	25 (3625)	10 (3/8)	15	10 (3/8)	Rubber	G	30803488	30803388
			18				30802289	30802189

* Connection hose = 1 m long